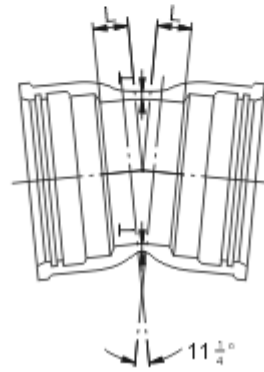
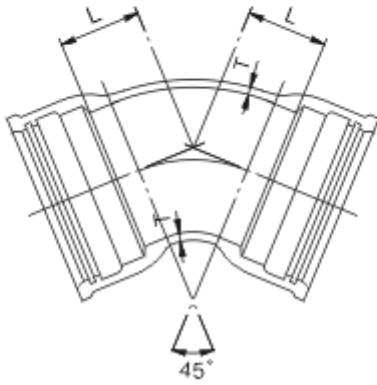
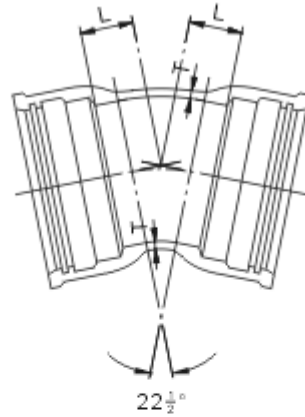
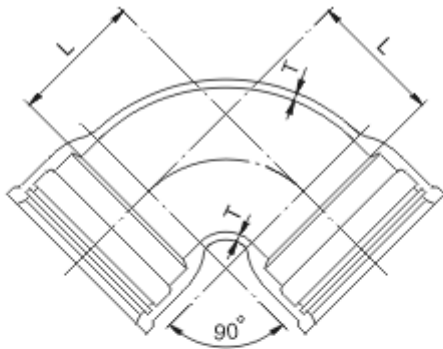




Double Socket Bend



LTD.

LTD.

LTD.

LTD.

LTD.

Unit : mm

DN	Thickness	90°		45°		22½°		11¼°	
	T	L	Weight (kg)	L	Weight (kg)	L	Weight (kg)	L	Weight (kg)
150	7.8	170	21.6	85	18.5	55	17.0	35	15.9
200	8.4	220	35.4	110	29.4	65	26.4	40	24.4
250	9.0	270	50.1	130	40.1	75	35.1	50	32.1
300	9.6	320	65.4	150	50.4	85	41.9	55	37.9
350	10.2	370	97.1	175	71.4	95	59.4	60	53.4
400	10.8	420	114.6	195	85.6	110	70.6	65	61.6
450	11.4	470	144.2	220	87.8	120	90.8	70	80.5
500	12.0	520	177.4	240	129.2	130	101.2	75	86.2
600	13.2	620	193.3	285	181.6	150	136.6	85	113.6
700	14.4	720	374.1	330	263.0	175	198.0	95	162.0
800	15.6	820	501.8	370	343.6	195	252.6	110	204.6
900	16.8	920	565.2	415	452.2	220	329.2	120	261.2
1000	18.0	1020	862.1	460	582.4	240	417.4	130	328.4
1100	19.2	1120	1090.7	505	743.1	260	550.5	140	449.9
1200	20.4	1220	1354.1	550	902.6	285	632.6	150	484.6

LTD.

LTD.

LTD.

LTD.